



LEFROY BROOKS

IBROC HOUSE ESSEX ROAD
HODDESDON HERTS EN11 OQS UK
T: +44 (0)1992 708 316 F: +44 (0)1992 708 317

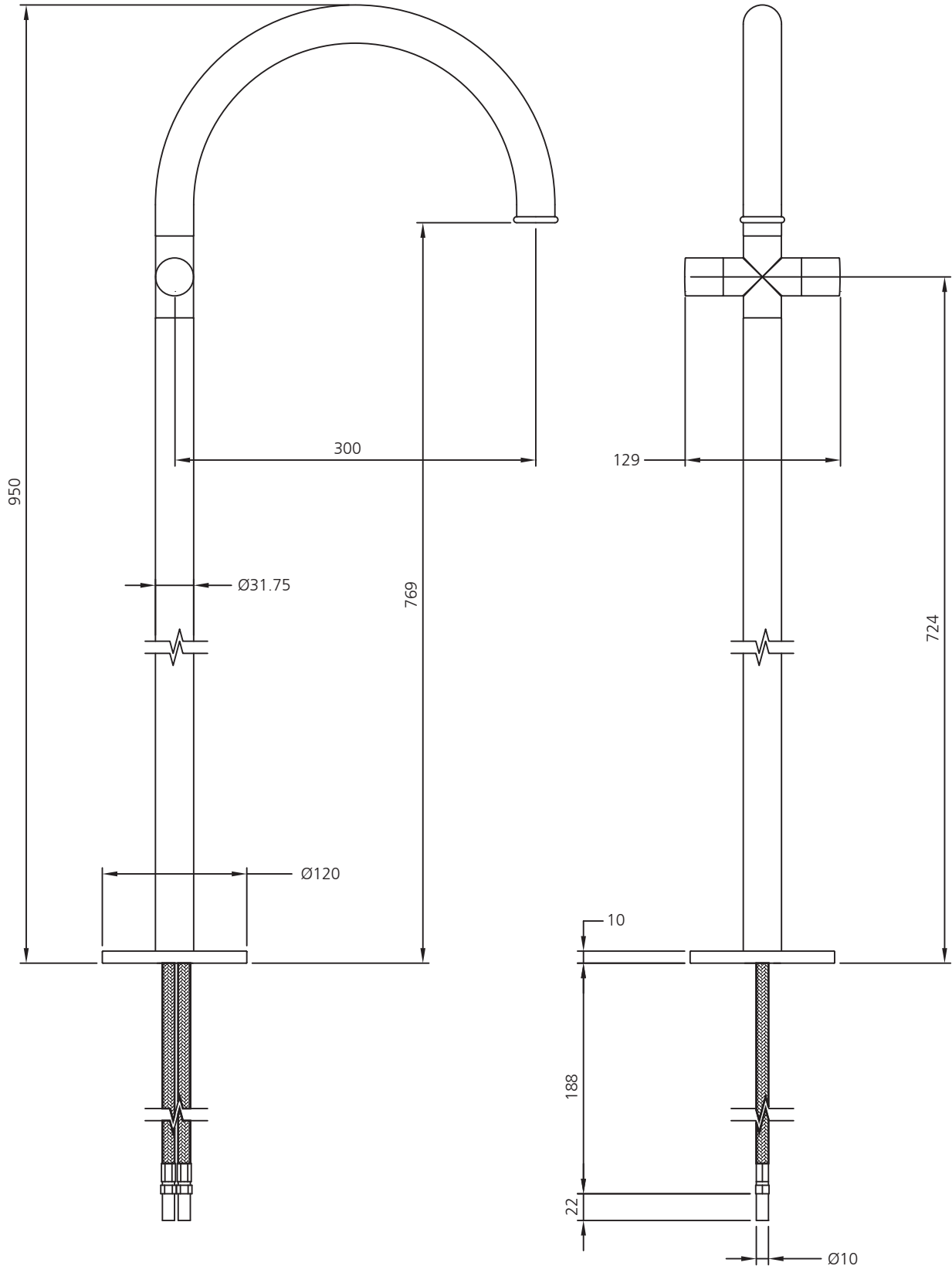
XO-5115

ZEN BATH FILL WITH INTEGRAL FLOW CONTROLS

DIMENSIONAL DATA SHEET

DATE: 9 September 2010

NUMBER: 30 069 5115 A



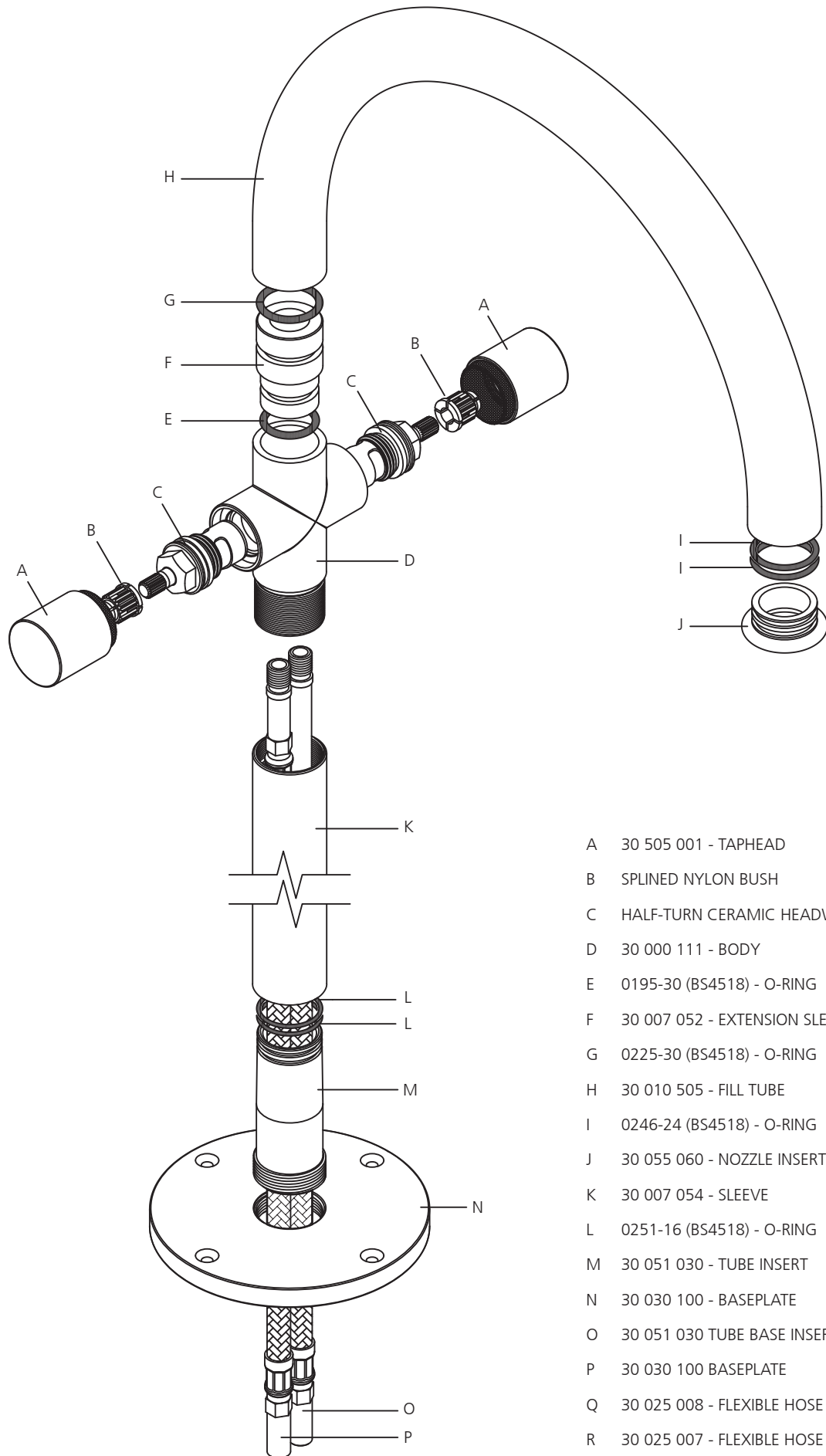
©COPYRIGHT 2001-2010. CHRISTO LEFROY BROOKS. ALL RIGHTS RESERVED.

DIMENSIONS IN MILLIMETRES

WHILST EVERY EFFORT IS MADE TO ENSURE THE ACCURACY OF THESE DATA SHEETS THEY ARE SUBJECT TO CHANGE WITHOUT NOTICE AS PART OF THE COMPANY'S PRODUCT DEVELOPMENT PROCESS

XO-5115

ZEN BATH FILL WITH INTEGRAL FLOW CONTROLS



- A 30 505 001 - TAPHEAD
- B SPLINED NYLON BUSH
- C HALF-TURN CERAMIC HEADWORK
- D 30 000 111 - BODY
- E 0195-30 (BS4518) - O-RING
- F 30 007 052 - EXTENSION SLEEVE
- G 0225-30 (BS4518) - O-RING
- H 30 010 505 - FILL TUBE
- I 0246-24 (BS4518) - O-RING
- J 30 055 060 - NOZZLE INSERT
- K 30 007 054 - SLEEVE
- L 0251-16 (BS4518) - O-RING
- M 30 051 030 - TUBE INSERT
- N 30 030 100 - BASEPLATE
- O 30 051 030 TUBE BASE INSERT
- P 30 030 100 BASEPLATE
- Q 30 025 008 - FLEXIBLE HOSE
- R 30 025 007 - FLEXIBLE HOSE